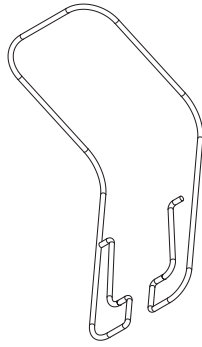


Conversion instructions

HYGINITY Elbow Lever

Item No.: 333470

HYGINITY Ellenbogenhebel
HYGINITY Ellebooghendel
HYGINITY Levier de coude
HYGINITY Dźwignią łokciową



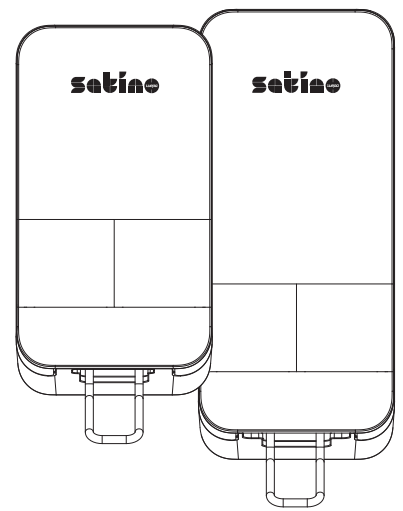
Compatible dispensers

HYGINITY Manual Clean&Care Dispenser 500

Item No.: 333430 / 333431

HYGINITY Manual Clean&Care Dispenser 1,000

Item No.: 333434 / 333435

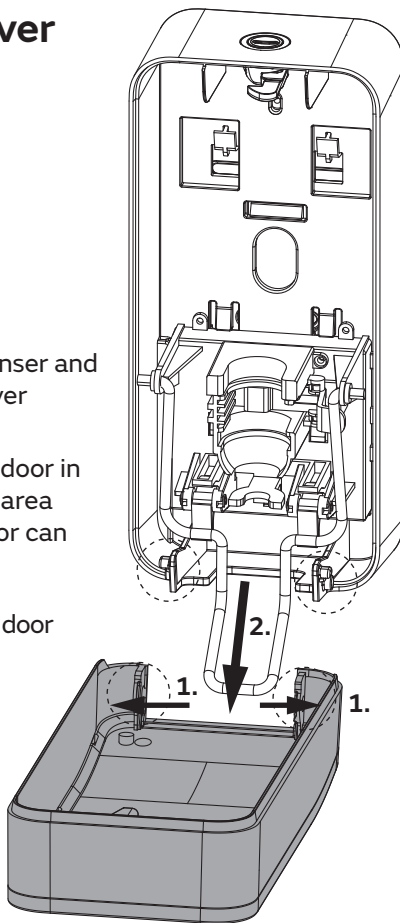


Attach Elbow Lever

A

Open the dispenser and remove the cover

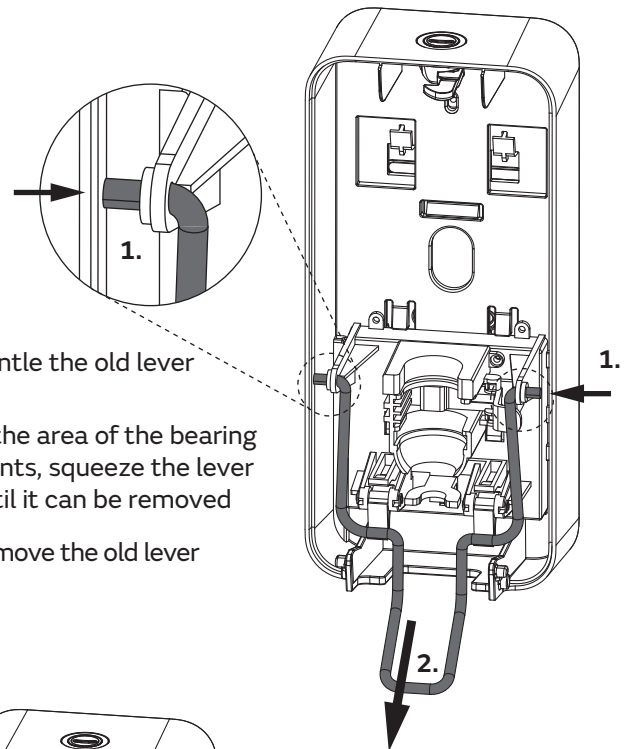
1. Expand the door in the bearing area until the door can be removed
2. Remove the door



B

Dismantle the old lever

1. In the area of the bearing points, squeeze the lever until it can be removed
2. Remove the old lever



C

Attach the elbow lever

Press the new elbow lever together in the area of the bearing points until it can be pushed in. Then fit the door and close it (see A).

