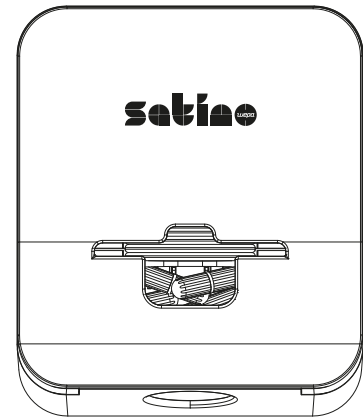


Assembly Instructions

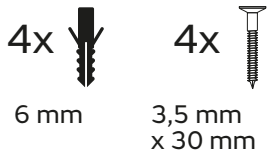
HYGINITY Feminine Hygiene Dispenser FemCare

Item No.: 333442 / 333443

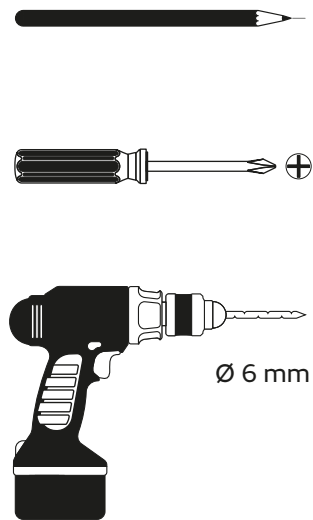
HYGINITY Damenhygienspender FemCare
HYGINITY Dispenser voor vrouwelijke hygiëne FemCare
HYGINITY Distributeur d'hygiène féminine FemCare
HYGINITY Dozownik do higieny intymnej FemCare



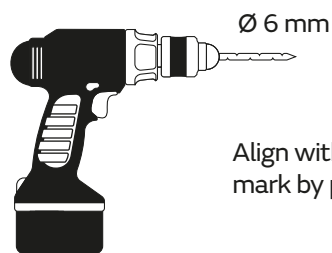
Supplied



Needed tools



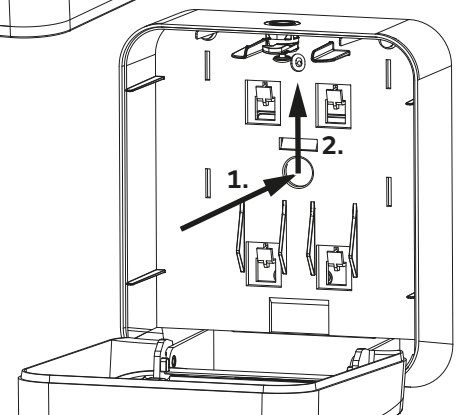
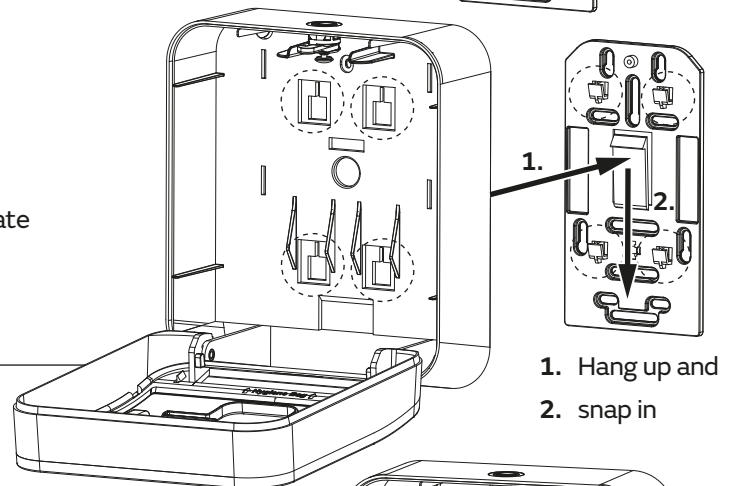
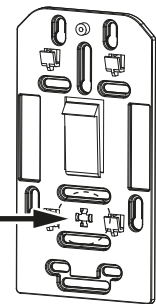
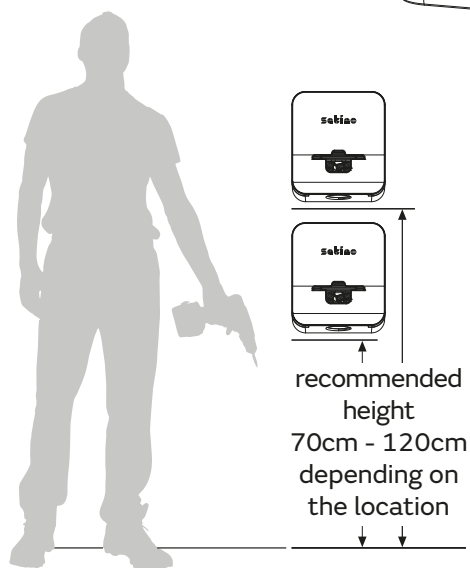
Mounting Plate



Align with integrated spirit level,
mark by pen + drill holes

Attaching
Dispenser to
Mounting Plate

Preferred distance



Removing Dispenser from Mounting Plate

1. Press the inner snap and then
2. lift the dispenser.

Suitable for
FC1

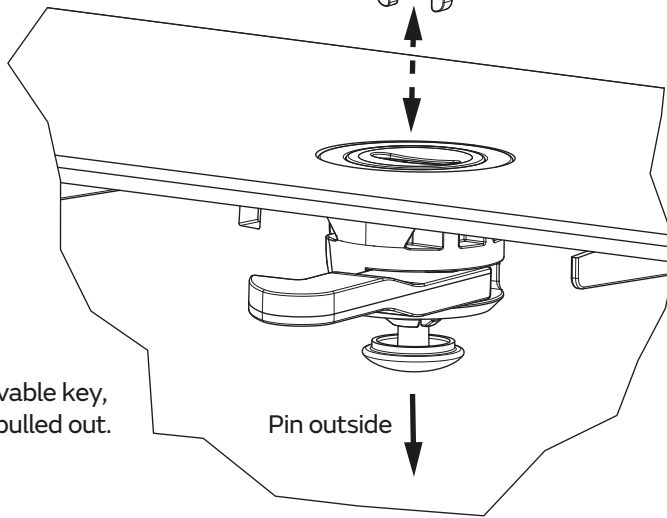
Suitable for
HB1

HYGINITY
Feminine Hygiene Dispenser
FemCare

Item No.: 333442 / 333443

Key options

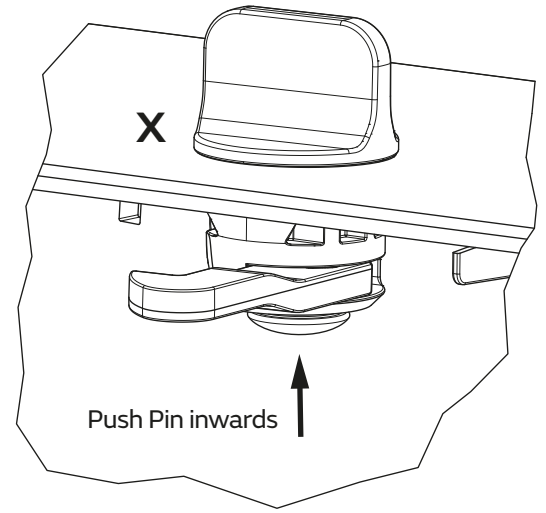
Removable key



To use the removable key, the pin must be pulled out.

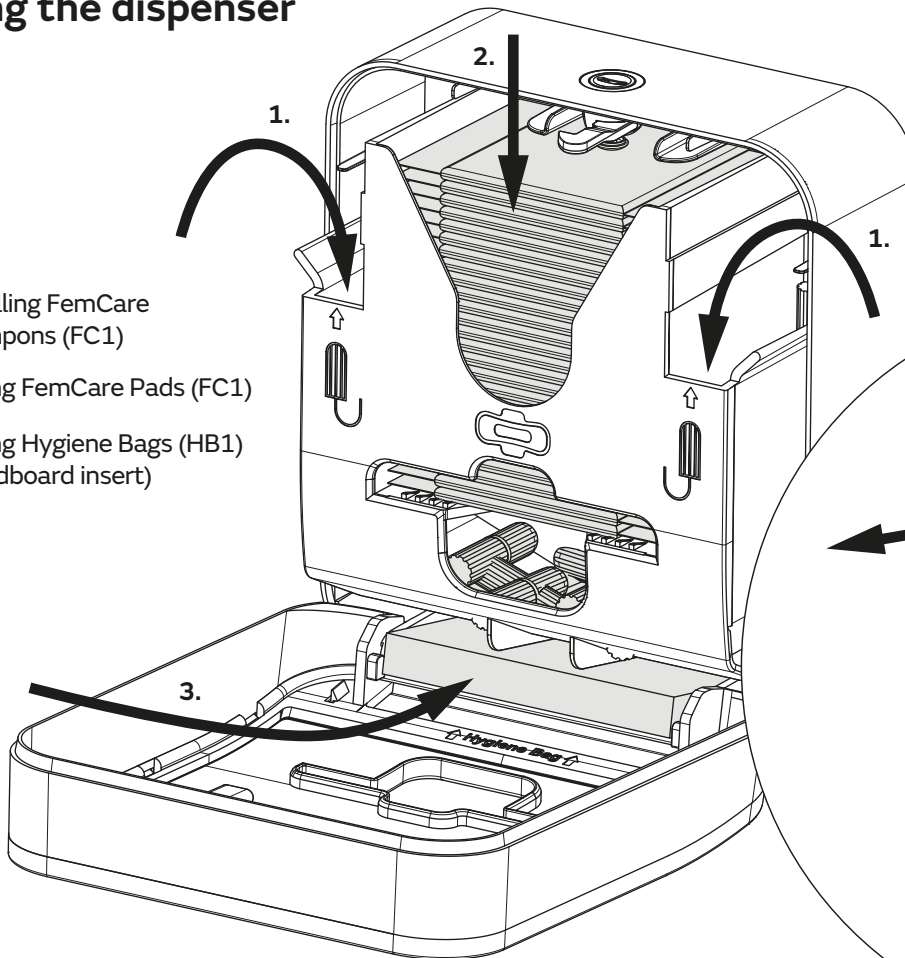
If you want to use the permanent key, press the pin in after you have inserted the key.

Permanent Key

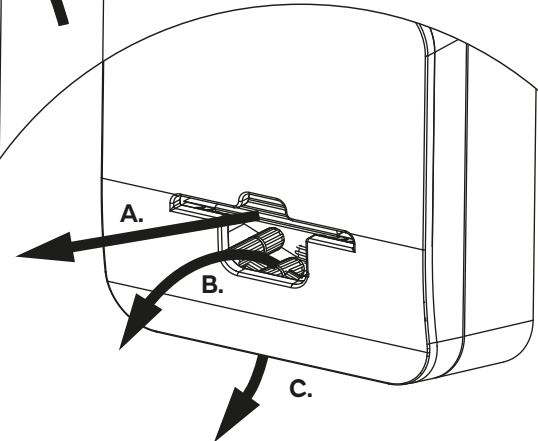


Filling the dispenser

1. Refilling FemCare Tampons (FC1)
2. Filling FemCare Pads (FC1)
3. Filling Hygiene Bags (HB1) (cardboard insert)



Please place **original** Satino FemCare (FC1) and HygieneBags (HB1) in the dispenser.



- A. Take out FemCare Pads
- B. Take out FemCare Tampons
- C. Take out Hygiene Bags