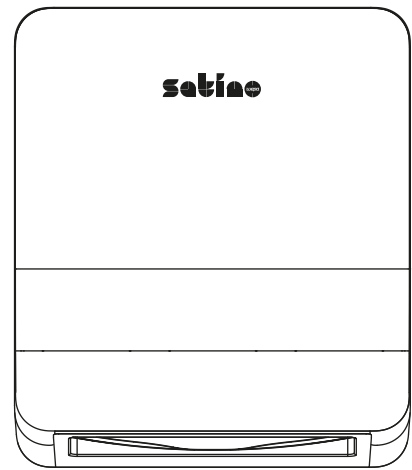


Assembly Instructions

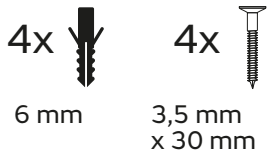
HYGINITY Interfold Towel Dispenser S

Item No.: 333412 / 333413

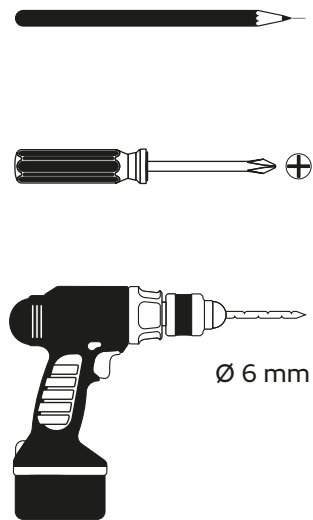
HYGINITY Falthandtuchspender Interfold S
HYGINITY Handdoekdispenser Interfold S
HYGINITY Distributeur pour essuie-mains pliés Interfold S
HYGINITY Dozownik do ręczników składanych Interfold S



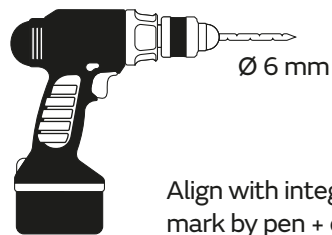
Supplied



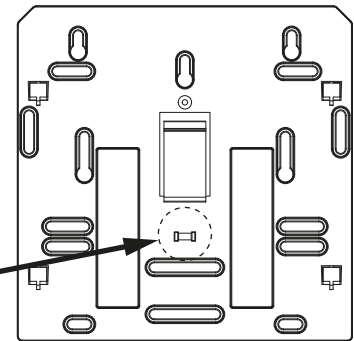
Needed tools



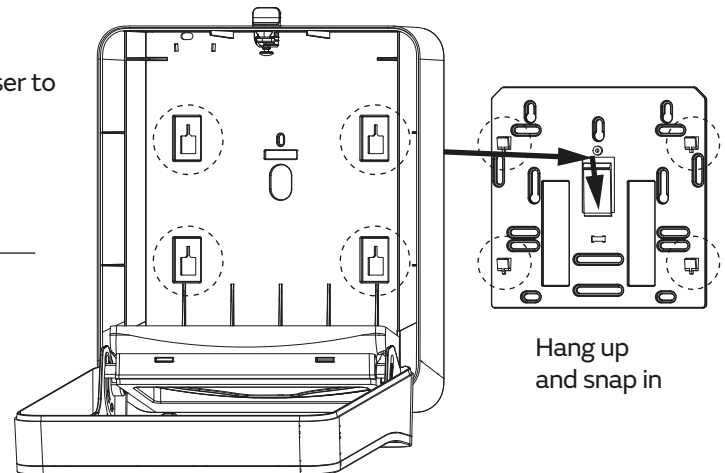
Mounting Plate



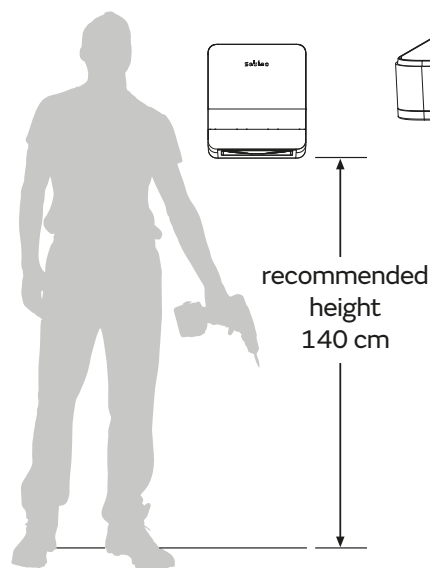
Align with integrated spirit level, mark by pen + drill holes



Attaching Dispenser to Mounting Plate

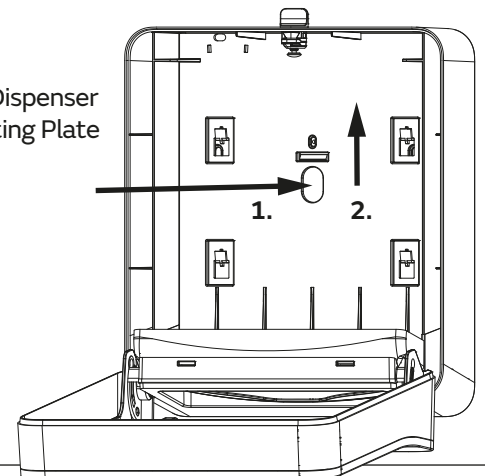


Preferred distance

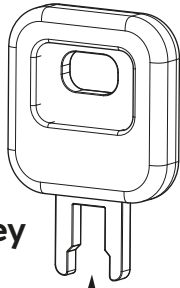


Removing Dispenser from Mounting Plate

1. Push
2. Lift



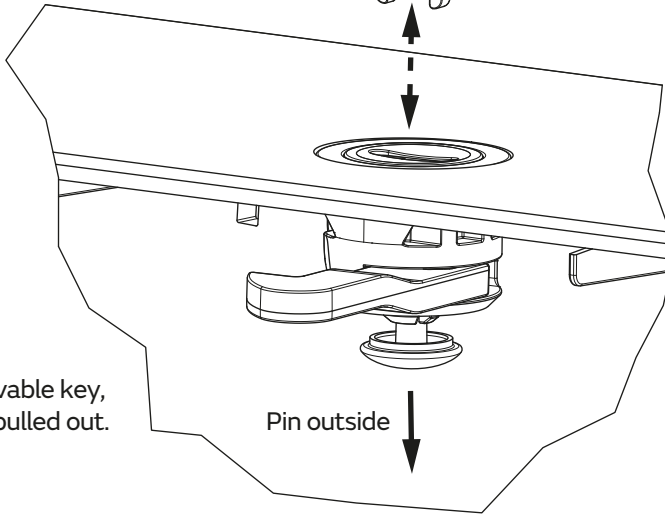
HYGINITY
Interfold Towel Dispenser S
Item No.: **333412 / 333413**



If you want to use the permanent key, press the pin in after you have inserted the key.

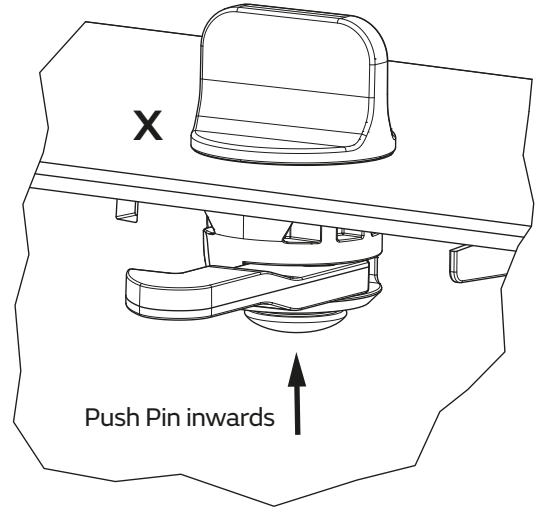
Key options

Removable key



To use the removable key, the pin must be pulled out.

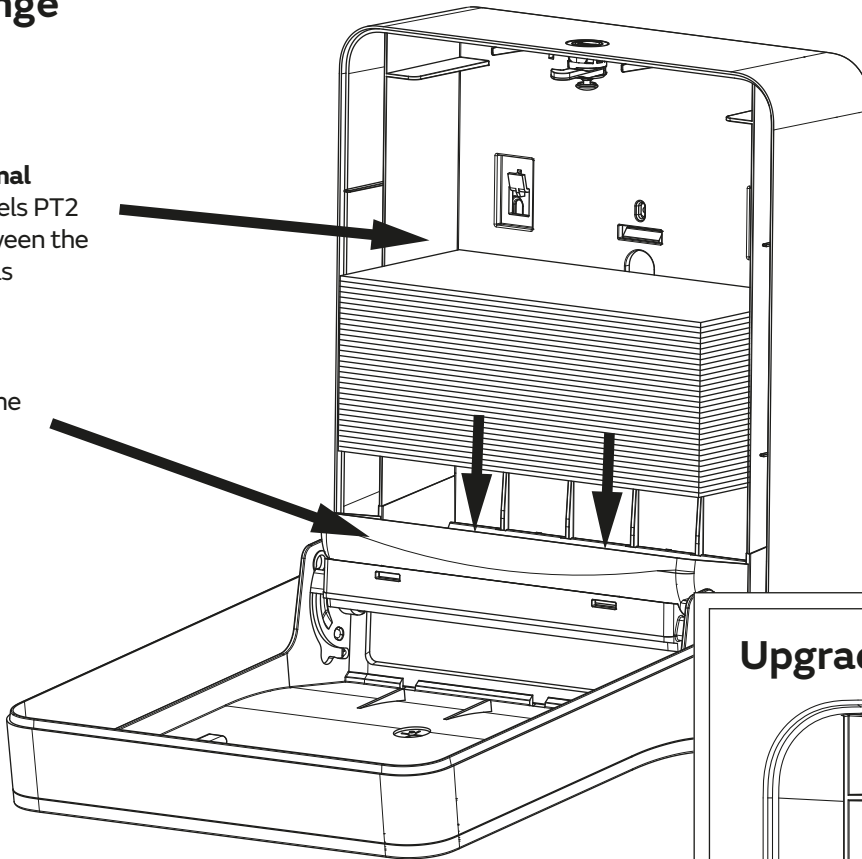
Permanent Key



Paper change

Please place **original** Satino Paper Towels PT2 in the center between the paper guiding walls

and stack it into the paper outlet bowl



Upgrade

