

Assembly Instructions

HYGINITY Manual Clean&Care Dispenser 500

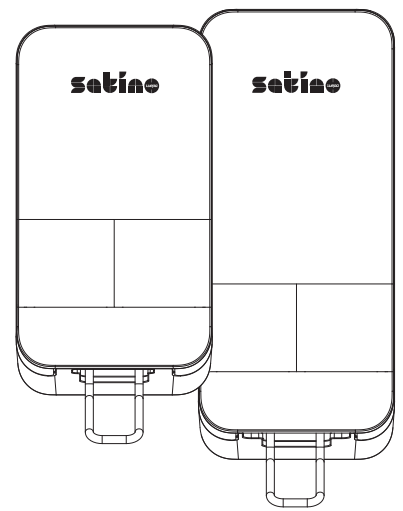
Item No.: **333430 / 333431**

HYGINITY Manueller Clean&Care Spender 500
HYGINITY Clean & Care dispenser handmatig 500
HYGINITY Distributeur clean&care manuel 500 mL
HYGINITY Dozownik clean&care ręcznie 500

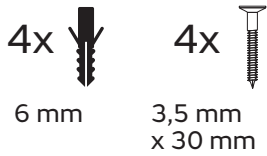
HYGINITY Manual Clean&Care Dispenser 1000

Item No.: **333434 / 333435**

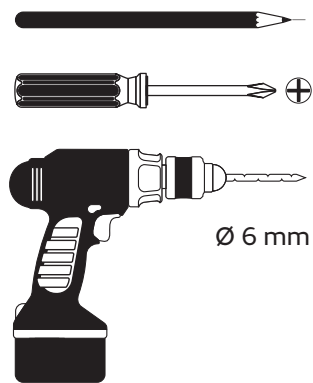
HYGINITY Manueller Clean&Care Spender 1000
HYGINITY Clean & Care dispenser handmatig 1000
HYGINITY Distributeur clean&care manuel 1000 mL
HYGINITY Dozownik clean&care ręcznie 1000



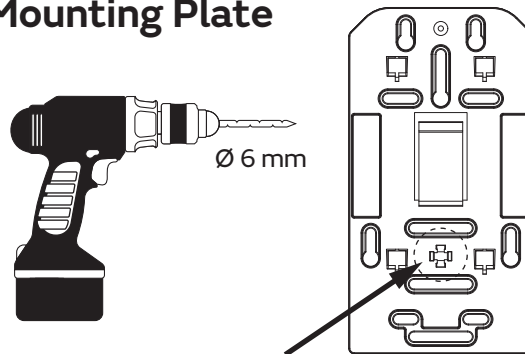
Supplied



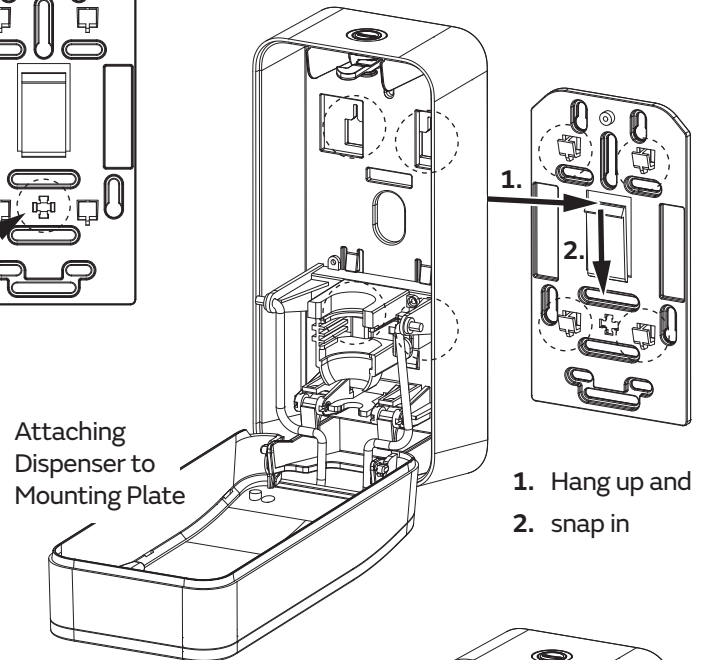
Needed tools



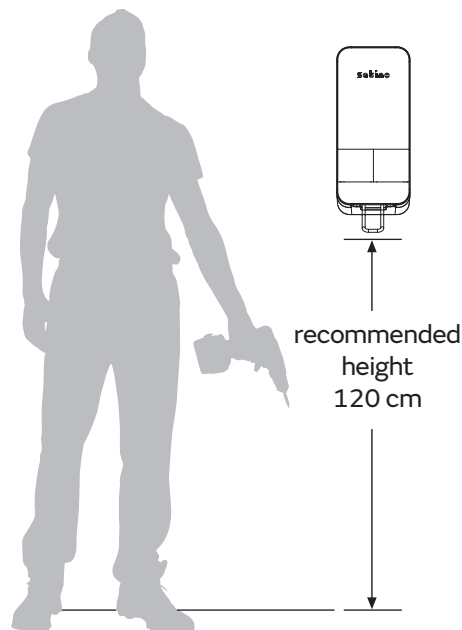
Mounting Plate



Align with integrated spirit level,
mark by pen + drill holes

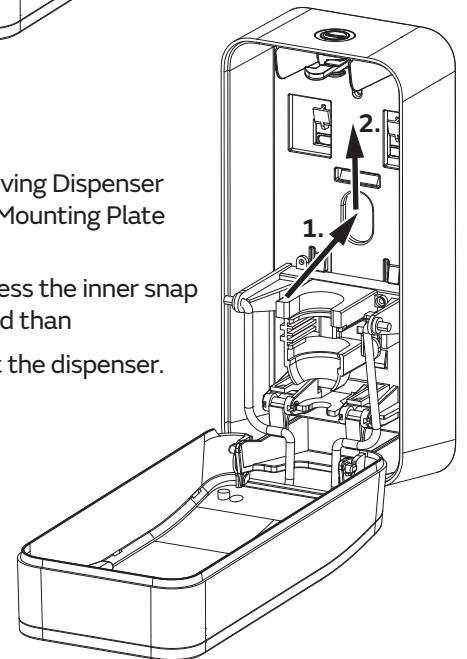


Preferred distance



Removing Dispenser from Mounting Plate

1. Press the inner snap
and than
2. lift the dispenser.



HYGINITY
Manual Clean&Care
Dispenser 500

Item No.:
333430
333431

Suitable for
SF2

HYGINITY
Manual Clean&Care
Dispenser 1000

Item No.:
333434
333435

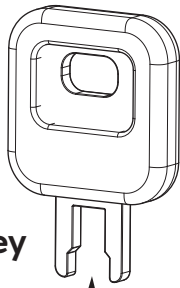
Suitable for
SF1

Elbow lever (available add-on)

Item No.: **333470**

HYGINITY
Manual Clean&Care Dispenser
500 and 1000

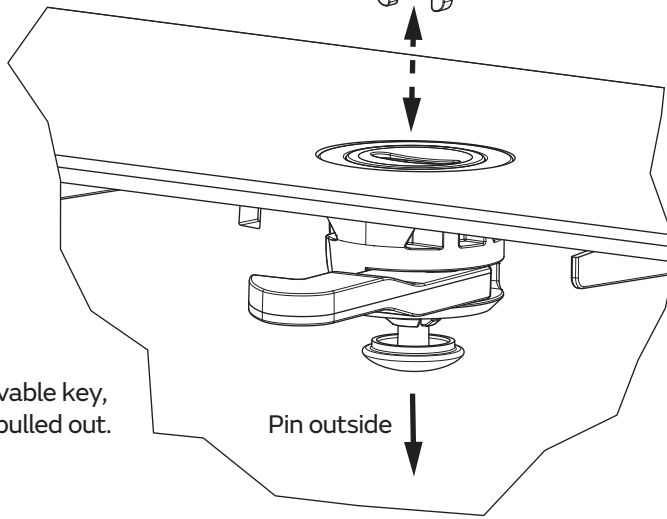
Item No.: **333430 / 333431** and
Item No.: **333434 / 333435**



If you want to use the permanent key, press the pin in after you have inserted the key.

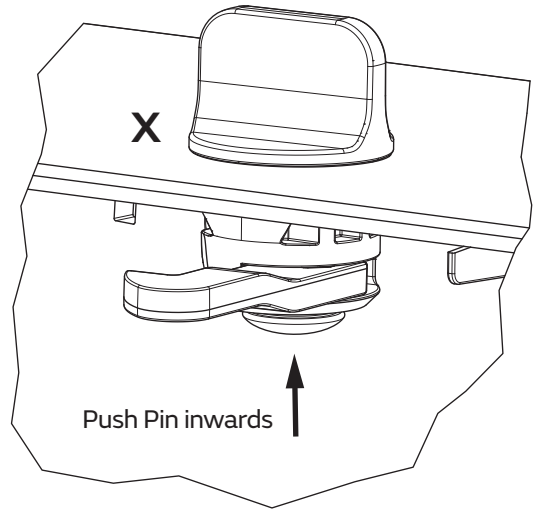
Key options

Removable key



To use the removable key, the pin must be pulled out.

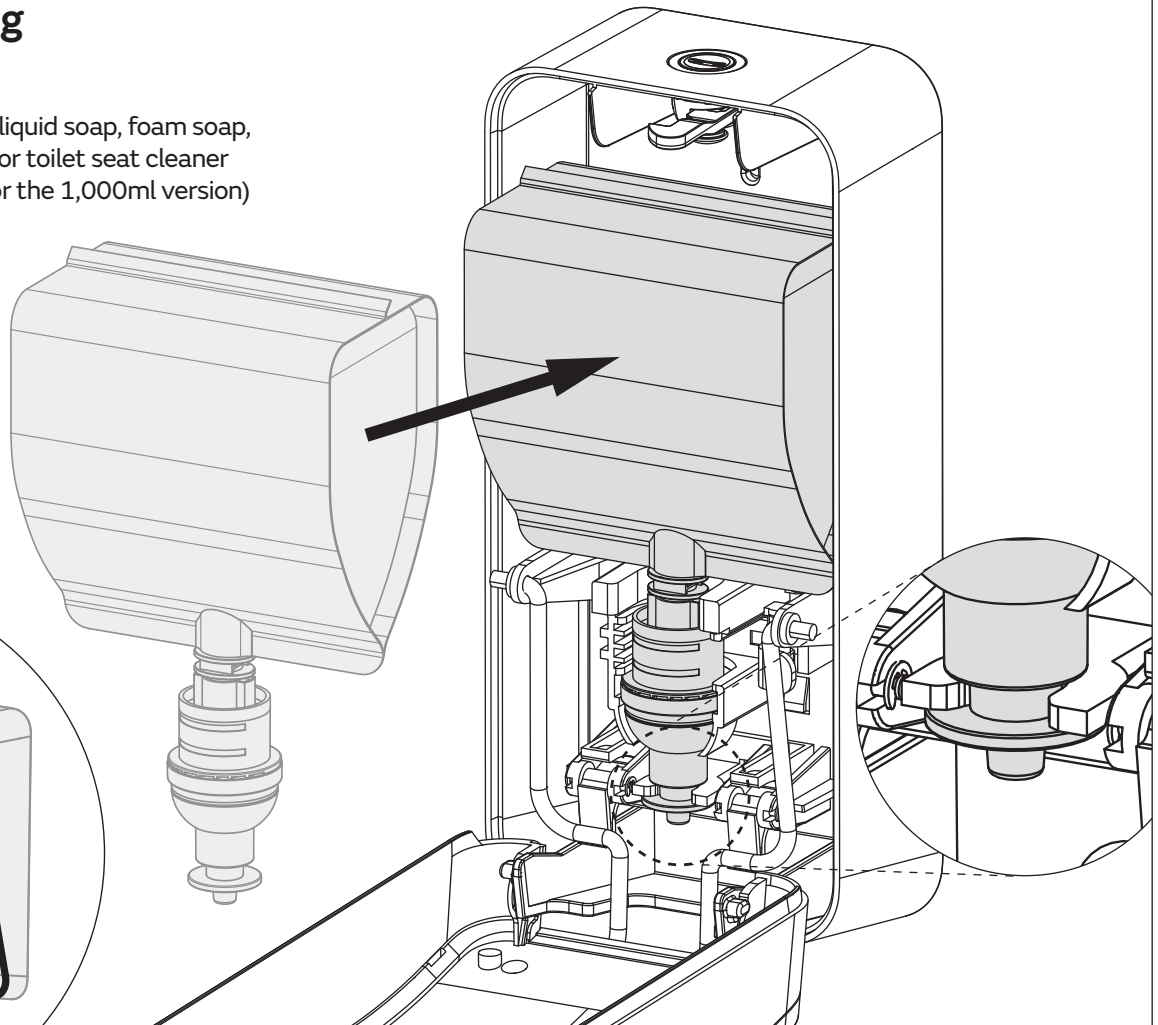
Permanent Key



Exchange the bag

Please place **original** Satino liquid soap, foam soap, foam soap free, disinfection or toilet seat cleaner (SF2 for the 500ml or SF1 for the 1,000ml version) in the dispenser.

Insert the bag into the dispenser from the front. Pay attention to the height limit and the guides.



An **elbow lever** (Item No.: 333470) is available as an optional add-on.