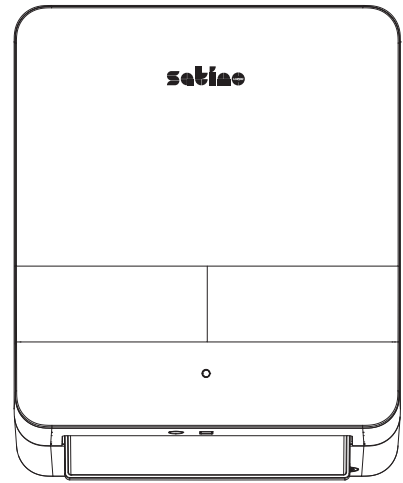


Assembly Instructions

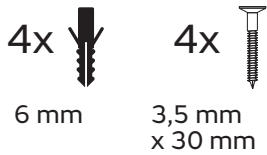
HYGINITY Sensor Towel Dispenser

Item No.: 333420 / 333421

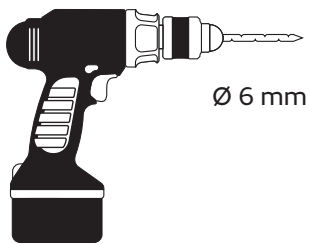
HYGINITY Sensor Handtuch Spender
HYGINITY Sensor Handdoekroldispenser
HYGINITY Distributeur pour essuie-mains Sensor
HYGINITY Dozownik do ręczników z czujnikiem Sensor



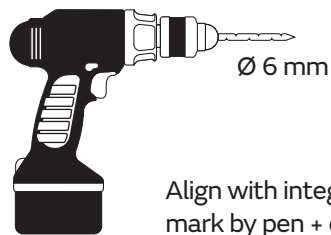
Supplied



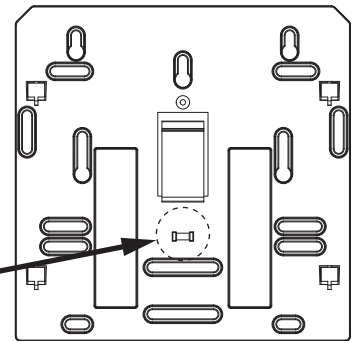
Needed tools



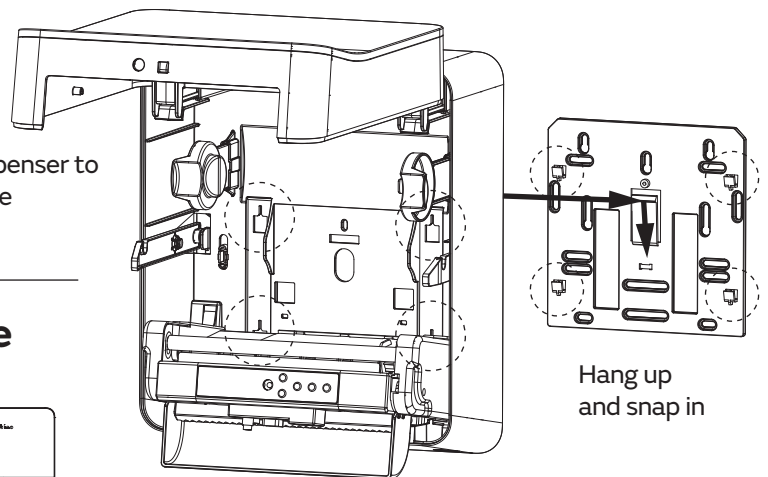
Mounting Plate



Align with integrated spirit level, mark by pen + drill holes

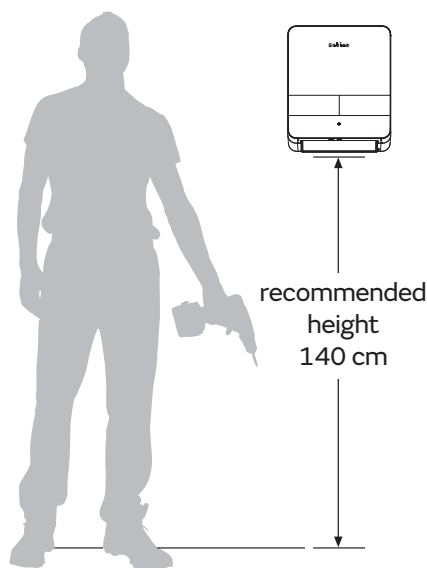


Attaching Dispenser to Mounting Plate



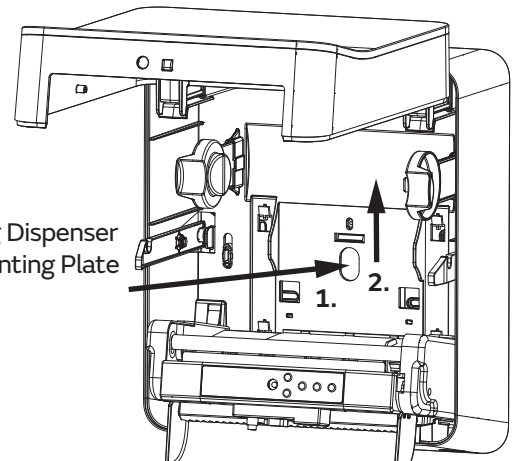
Hang up and snap in

Preferred distance



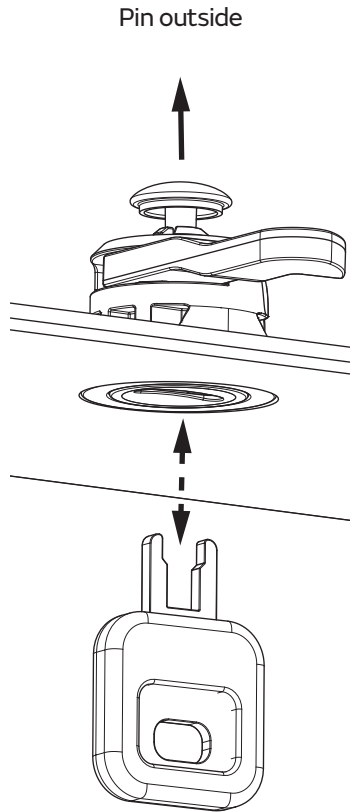
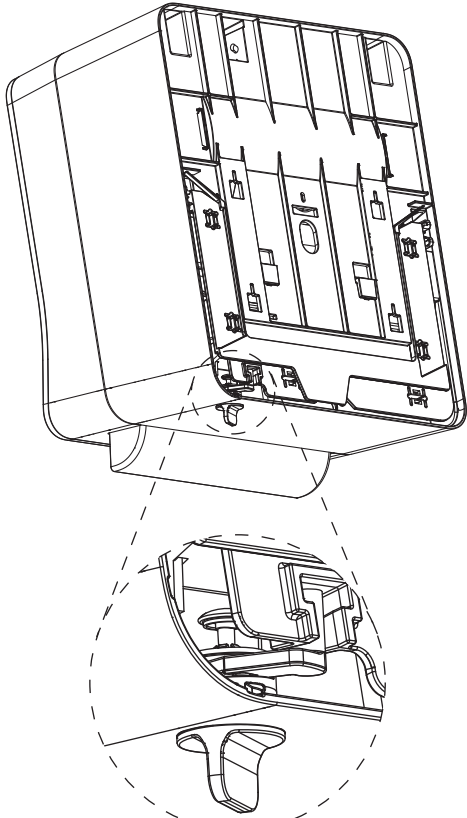
Removing Dispenser from Mounting Plate

1. Push
2. Lift



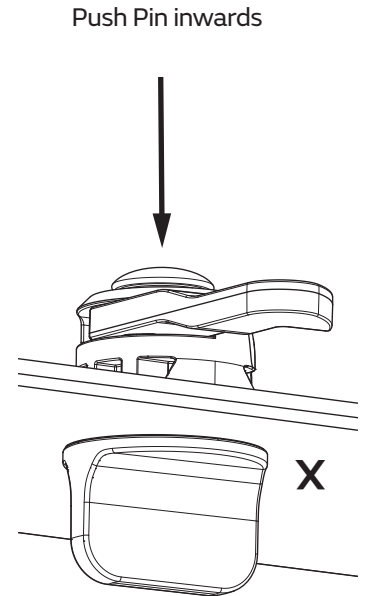
HYGINITY
Sensor Towel Dispenser
Item No.: 333420 / 333421

Key options



To use the removable key,
the pin must be pulled out.

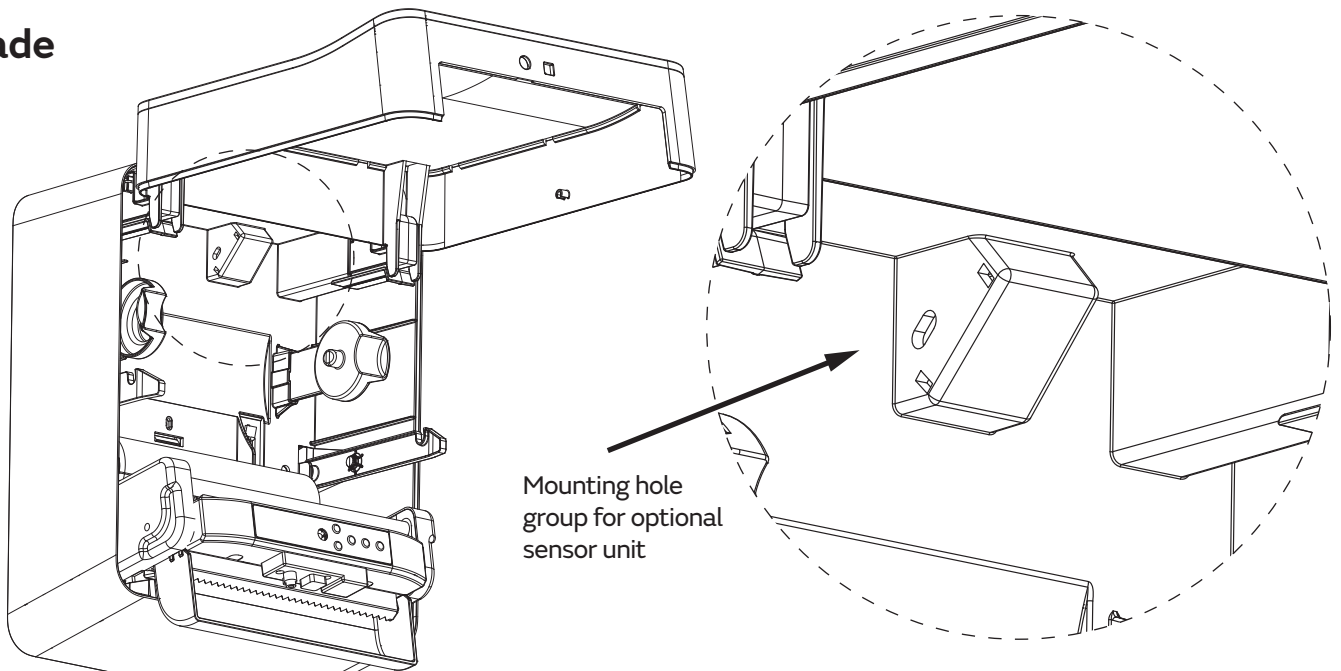
Removable key



If you want to use the
permanent key, press the pin in
after you have inserted the key.

Permanent Key

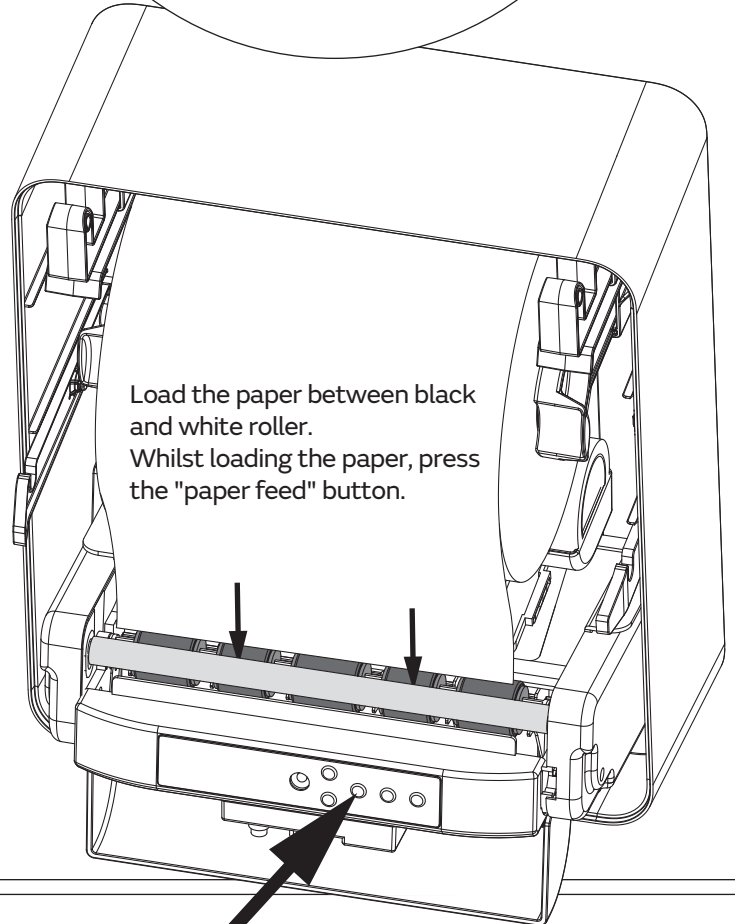
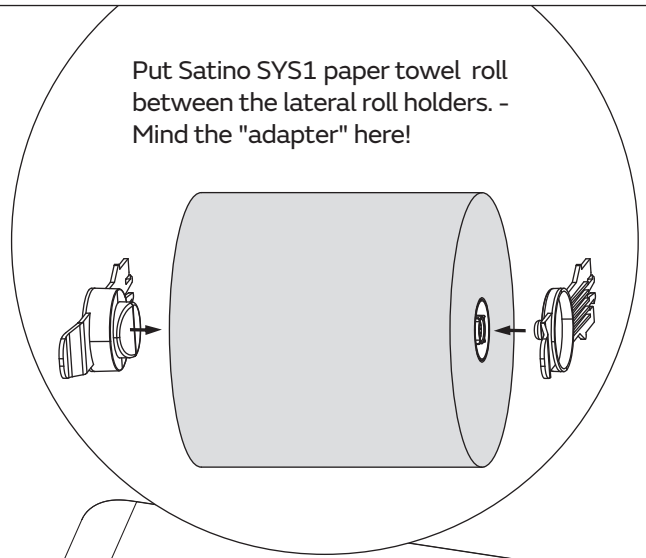
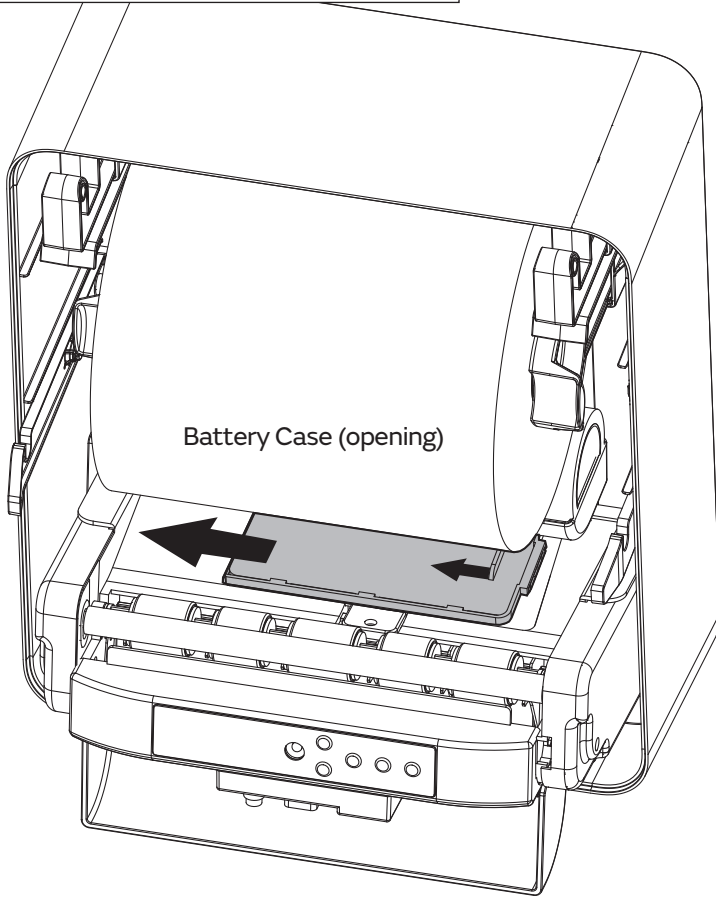
Upgrade




Mounting hole
group for optional
sensor unit

HYGINITY
Sensor Towel Dispenser
 Item No.: **333420 / 333421**

Operation

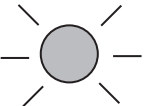


Battery use


4x  1,5 V, Alkaline D
 UK = 4 x AA batteries

Optional: in USB-C mode (see last page)



Function


BATTERY LEVEL
 Red Flashing =
 Please replace
 the batteries.


PAUSE TIMER
 1 second (White LED)
 3 seconds (Green LED)
 5 seconds (Blue LED)


PAPER LENGTH
 Adjust the paper
 length from
 20 cm (White LED)
 25 cm (Green LED)
 30 cm (Blue LED)
 34 cm (Purple LED)


PAPER FEED
 Paper feed -
 when threading
 the paper

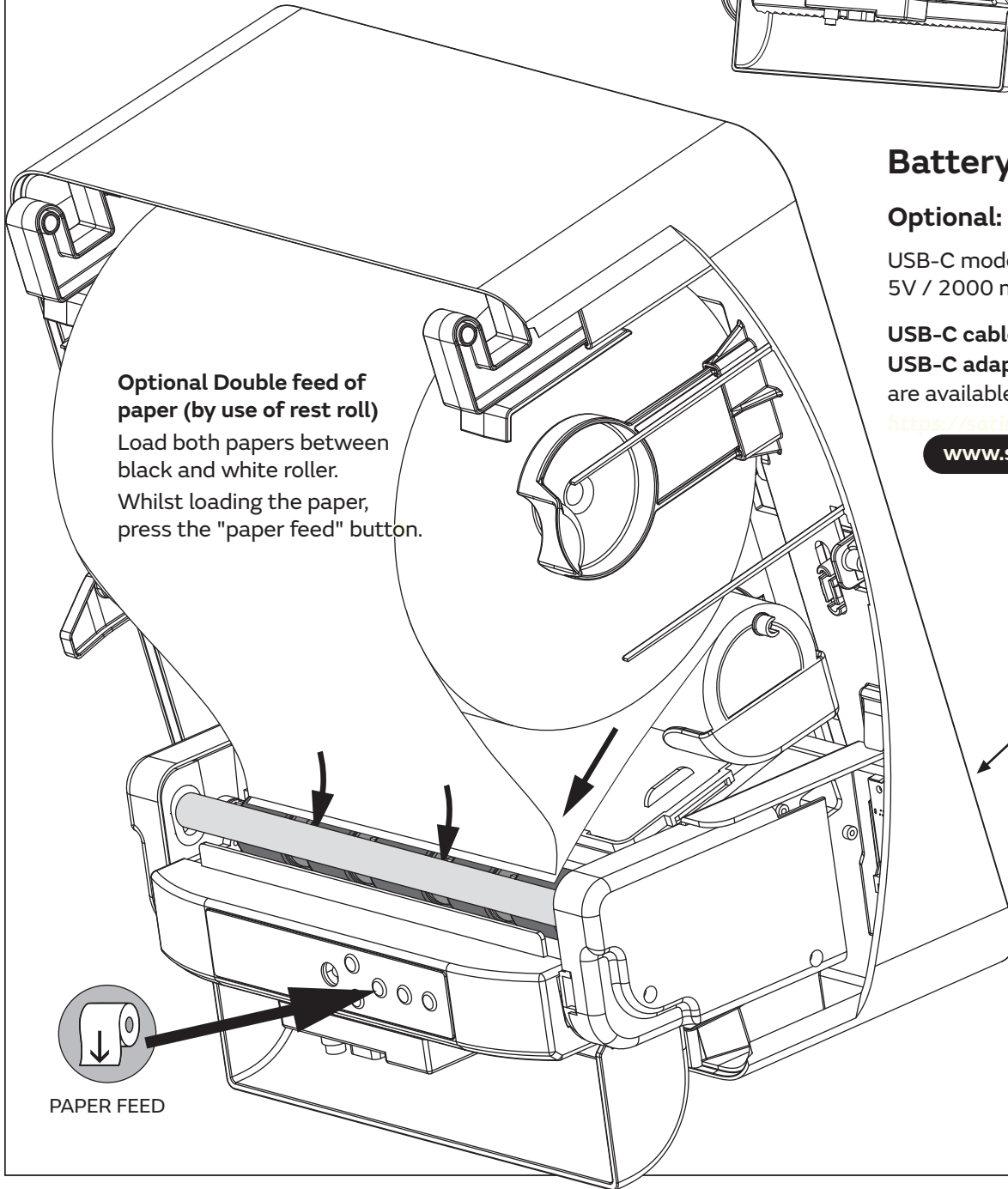
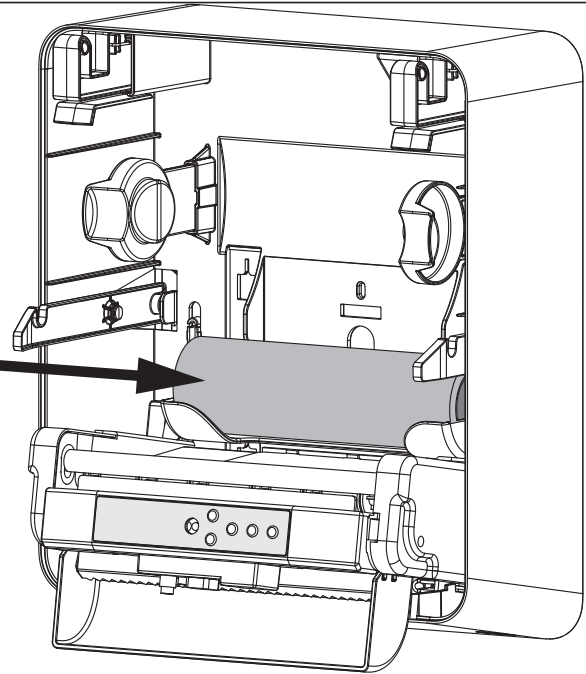
ON DEMAND

 Adjust the
 "sheet feeding"
 between
on demand or
automatic feed

AUTO


DISPENSER
"ON/OFF"

HYGINITY
Sensor Towel Dispenser
Item No.: 333420 / 333421

Optional Operation

If the roll has a diameter of 6cm or less, store it in the spare roll holder. This way you can insert a new/fresh roll to use alongside until the spare roll is fully used.



Optional Double feed of paper (by use of rest roll)
Load both papers between black and white roller.
Whilst loading the paper, press the "paper feed" button.



PAPER FEED

Battery use

Optional: in USB-C mode

USB-C mode
5V / 2000 mA



USB-C cable (Item No.: 333399) and
USB-C adapter (Item No.: 333398)
are available in the spare parts shop

<http://www.satino-spareparts.shop>

www.satino-spareparts.shop

Plug in for USB-C
on back of dispenser

