

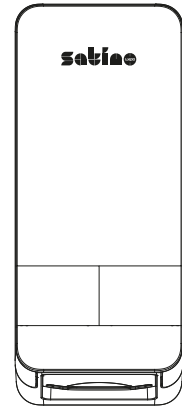
Assembly Instructions

# HYGINITY

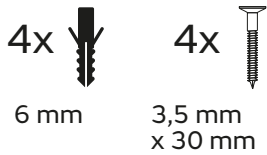
## Single Sheet Toilet Paper Dispenser

Item No.: 333424 / 333425

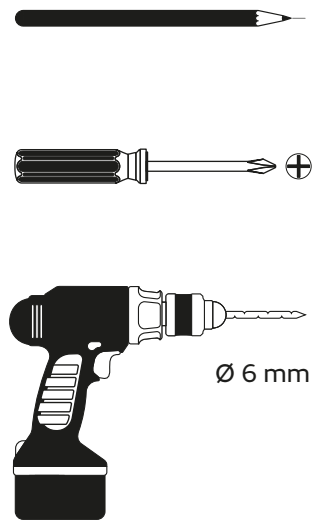
HYGINITY Einzelblatt-Toilettenpapierspender  
HYGINITY Toiletpapierdispenser losse vellen  
HYGINITY Distributeur de papier toilette feuille à feuille  
HYGINITY Dozownik na papier toaletowy w listkach



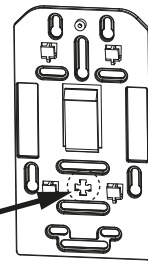
### Supplied



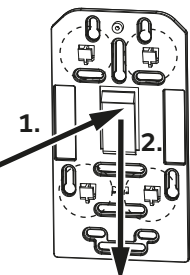
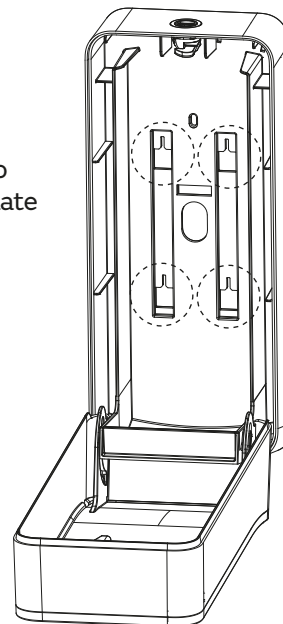
### Needed tools



### Mounting Plate

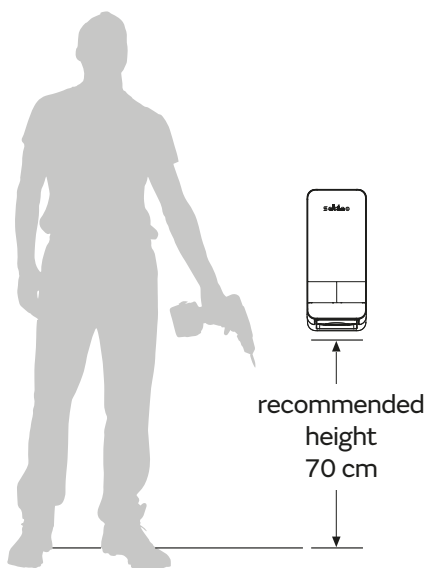


Attaching  
Dispenser to  
Mounting Plate



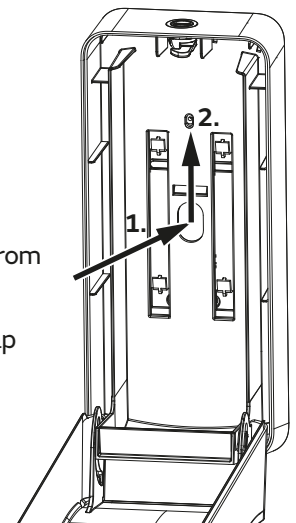
1. Hang up and
2. snap in

### Preferred distance



Removing Dispenser from  
Mounting Plate

1. Press the inner snap and than
2. lift the dispenser.

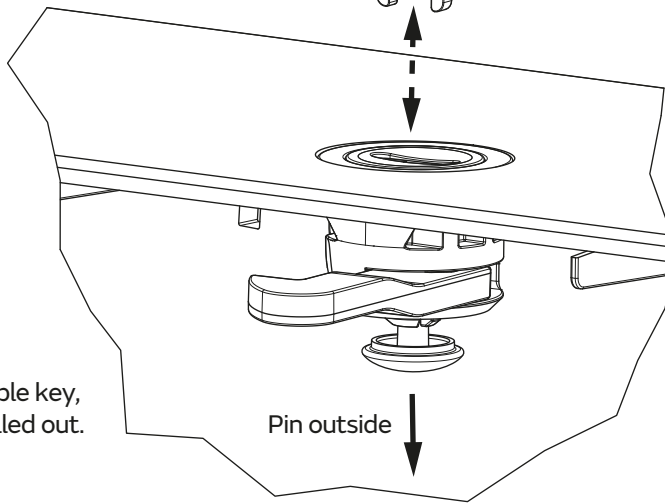


**HYGINITY**  
**Single Sheet Toilet Paper Dispenser**  
Item No.: 333424 / 333425

## Key options

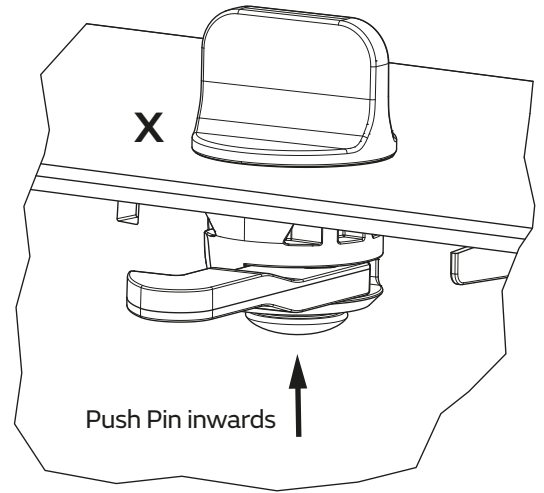
To use the removable key, the pin must be pulled out.

Removable key



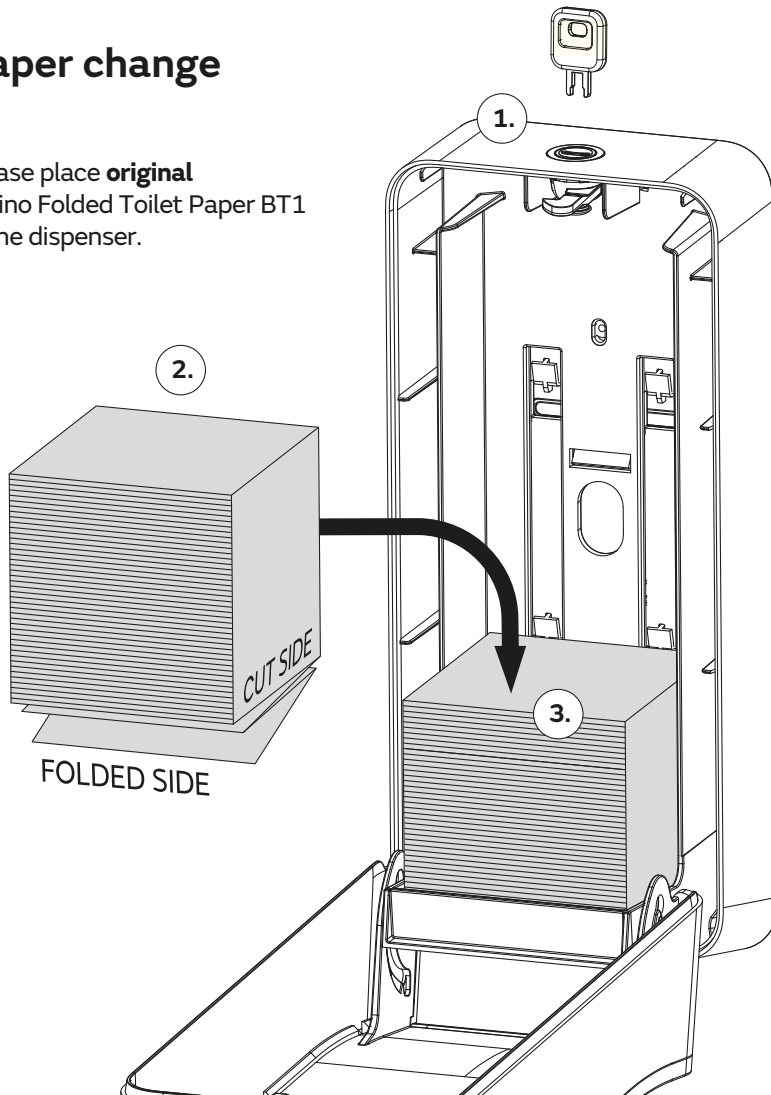
If you want to use the permanent key, press the pin in after you have inserted the key.

Permanent Key



## Paper change

Please place **original** Satino Folded Toilet Paper BT1 in the dispenser.



1. Open the dispenser with the Key at the top
2. Remove banderols from the paper bundles
3. Place the Satino Singlesheet Toilet paper (BT1) between the paper guides in the dispenser. - Make sure that the cut edges are facing outwards to the sides.

## Upgrade

